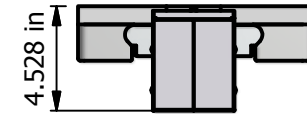
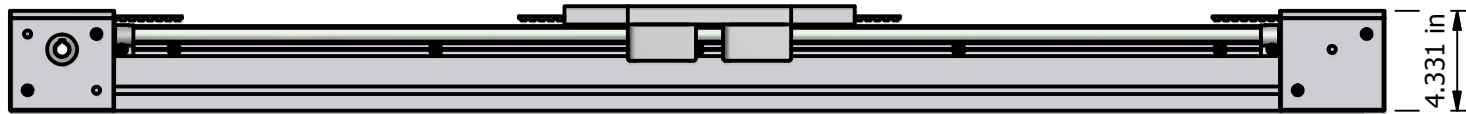
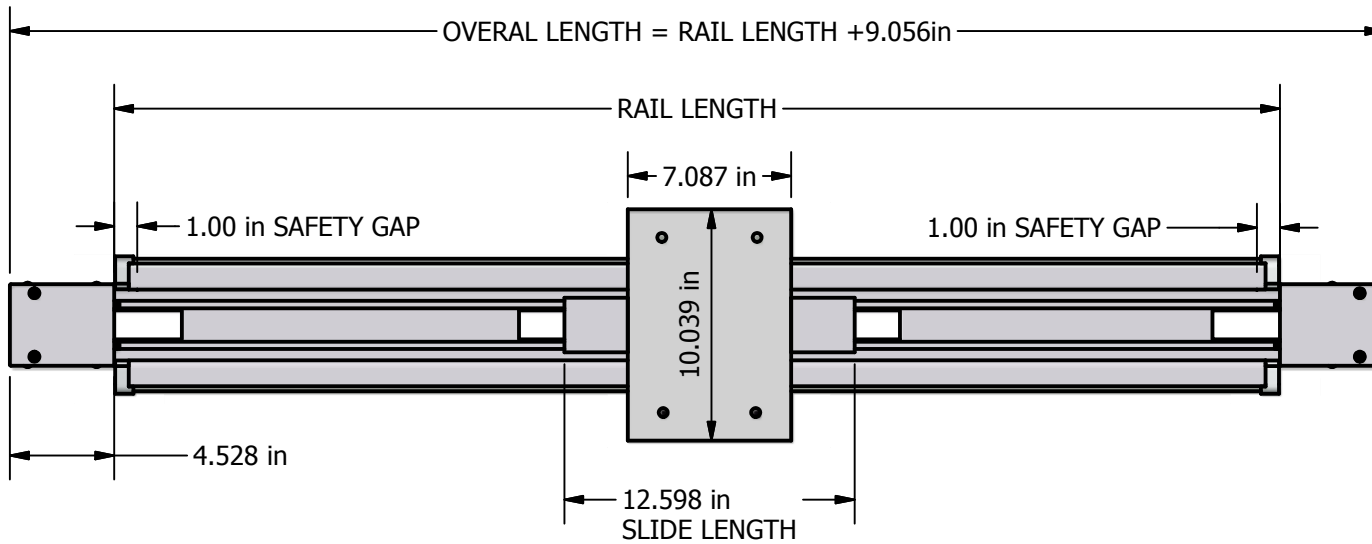
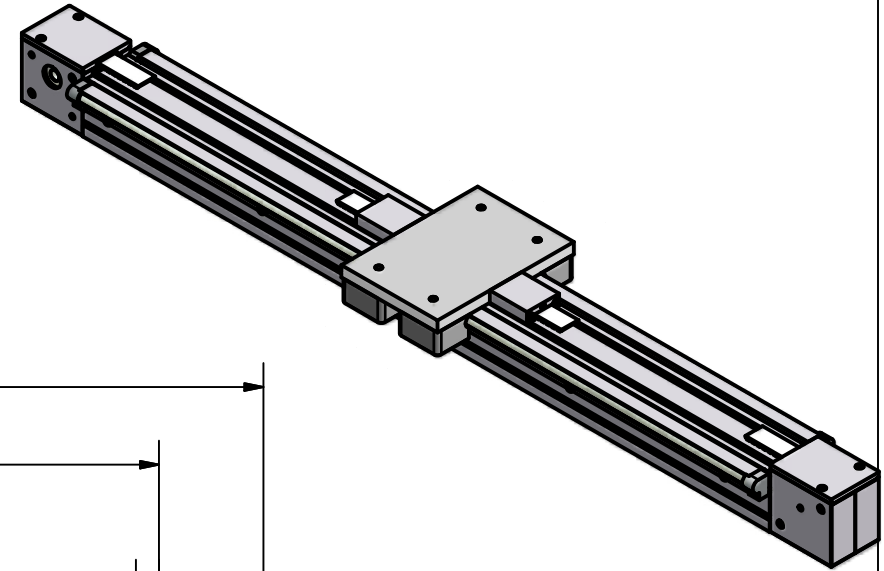

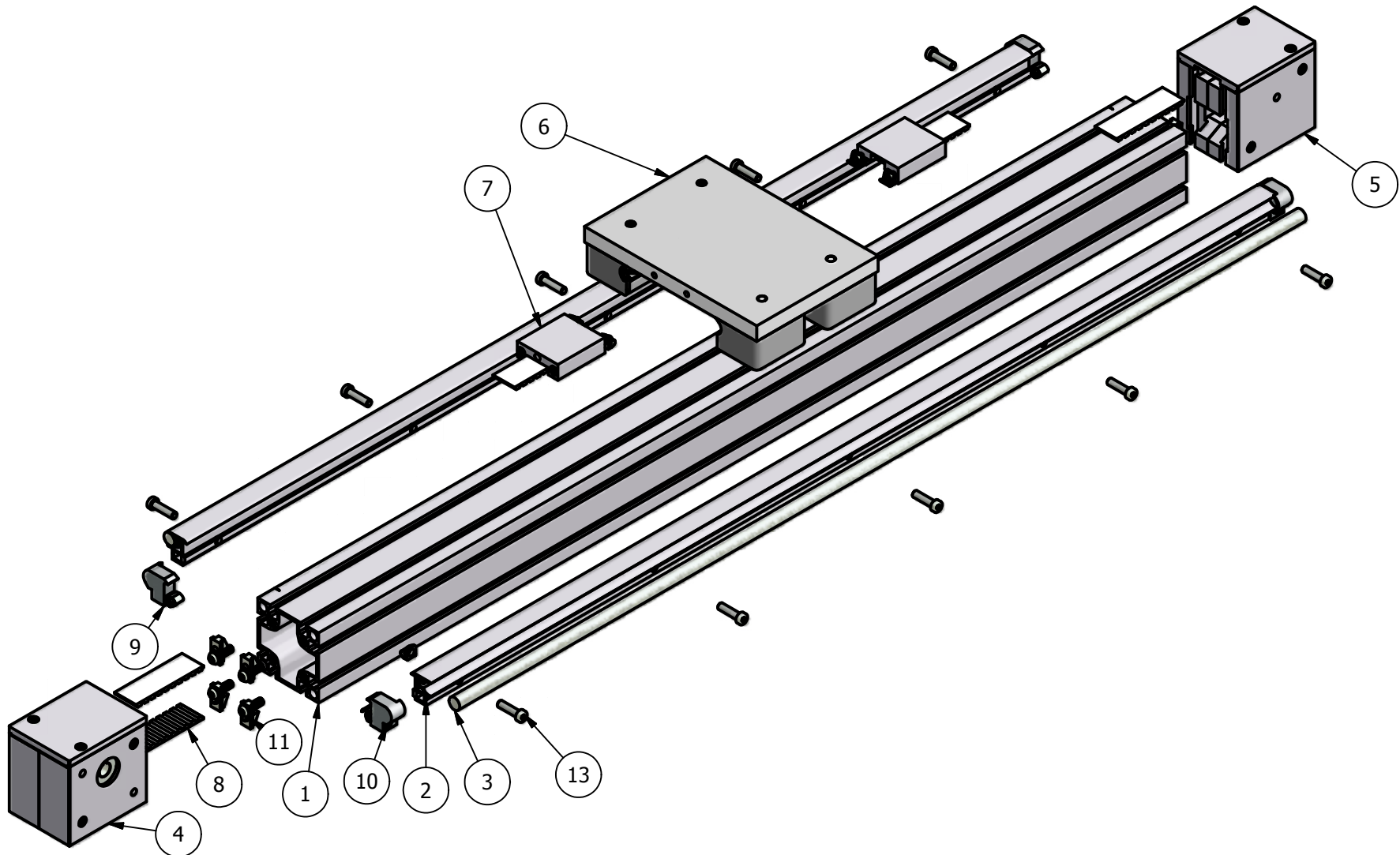


TRAVEL = RAIL LENGTH - SLIDE LENGTH - (2X SAFETY GAP) =



PROJECT SP011713-2 LR16-T90		 <small>WWW.MINITECFRAMING.COM VICTOR, NY PH # 585 924-4690 DIRECT 585 398-1240 EXT 104 FX # 585 924-4821 amoles@minitecframing.com</small>	
DRAWN BY ANDY MOLES			
DATE 1/18/2013			
DRAWN FOR MINITEC'S CUSTOMER	TITLE T90 LR16 TIMING BELT POSITIONER	DWG NO SP011713-2	REV
<small>TOLERANCES UNLESS OTHERWISE NOTED .X +/- .125" .XX +/- .015" .XXX +/- .010"</small>		MATERIAL	SHEET 1 OF 2
		FINISH	



PARTS LIST QTY 1

ITEM	PART #	DESCRIPTION	QTY
1	20.1010	PROFILE 90X90L	1
2	28.0019	SHAFT SUPPORTING PROFILE LR16	2
3	17.1743	SHAFT 16	2
4	28.0082/4	TIMING BELT PULLEY T90 16mm	1
5	28.0082	TIMING BELT PULLEY T90	1
6	28.0811	SLIDE LR16-90	1
7	28.0090	TIMING BELT TENSIONER	2
8	28.0093	TIMING BELT 32 AT 10	4
9	28.0809	SHAFT RETENTION DEVICE LEFT LR 16	2
10	28.0808	SHAFT RETENTION DEVICE RIGHT LR 16	2
11	21.0818	POWER-LOCK SF	8
12	21.1351/2	M8 SQUARE NUT POS FXG	10
13	21.1206	M8 x 30 SHCS	10

PROJECT SP011713-2 LR16-T90
 DRAWN BY ANDY MOLES
 DATE 1/18/2013

MiniTec
 THE ART OF SIMPLICITY
 WWW.MINITECFRAMING.COM
 VICTOR, NY
 PH # 585 924-4690
 DIRECT 585 398-1240 EXT 104
 FX # 585 924-4821
 amoles@minitecframing.com

DRAWN FOR MINITEC'S CUSTOMER	TITLE T90 LR16 TIMING BELT POSITIONER	DWG NO SP011713-2	REV
------------------------------------	---	-----------------------------	-----

TOLERANCES UNLESS OTHERWISE NOTED X +/- .125" .XX +/- .015" .XXX +/- .010"	MATERIAL	FINISH	SHEET 2 OF 2
--	----------	--------	--------------